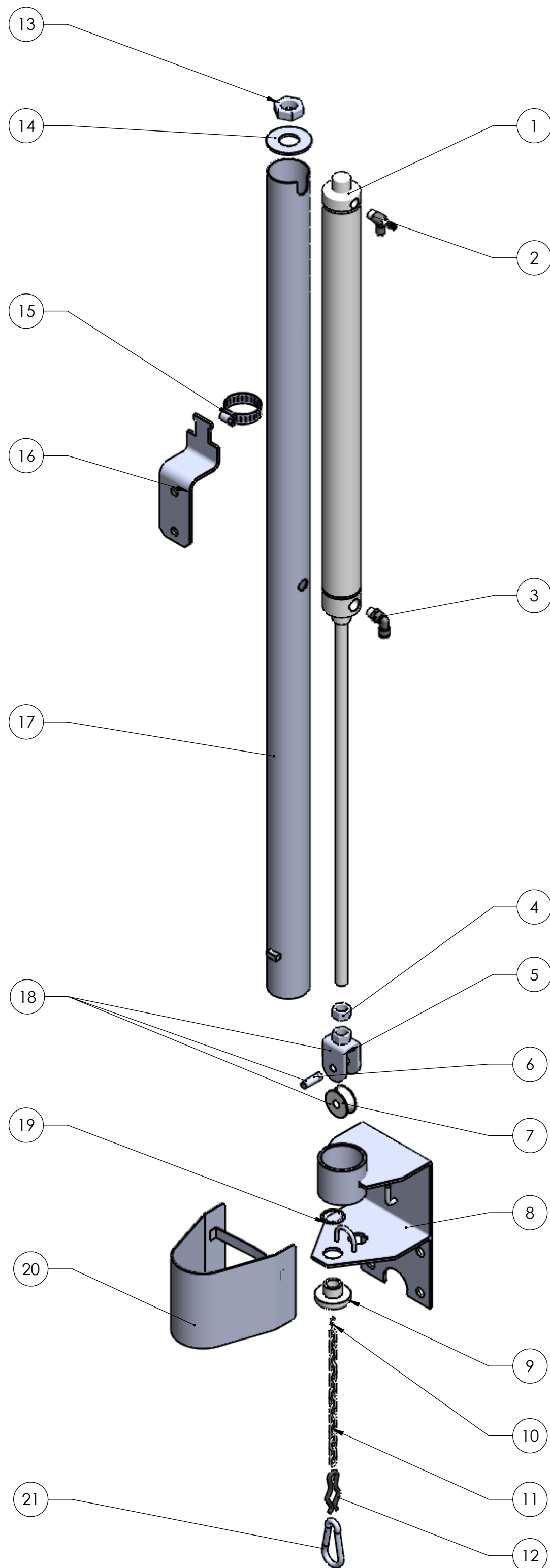


#99808  
 Replacement BM style air cylinder assembly  
 with mounting brackets , complete



ITEM	PART NUMBER	DESCRIPTION	QTY
1	99771	18" replacement air cylinder	1
2	NS2567	5/32 X 1/8 Flow Control	1
3	NS2578	5/32 X 1/8 Male elbow	1
4	99768	7/16" x 20 stainless hex jam nut	1
5	NS99805	Pulley bracket	1
6	NS99805-1	Knurled pin	1
7	92475	Pulley	1
8	NS10060	Bottom bracket	1
9	99807	White bushing	1
10	NS2987	S-Hook	1
11	99804	Stainless 50" chain	1
12	96087	Stainless Breakaway Clip	1
13	99767	3/4" x 16 stainless hex jam nut	1
14	99766	3/4" x 1 7/8 stainless flat washer	1
15	99744	Stainless hose clamp	1
16	99740	Mounting bracket	1
17	99806	Pipe for 18" air cylinder	1
18	99805	Pulley assembly	1
19	99729	Stainless retaining ring	1
20	10070	Shield	1
21	96012	Stainless steel snap , small	1