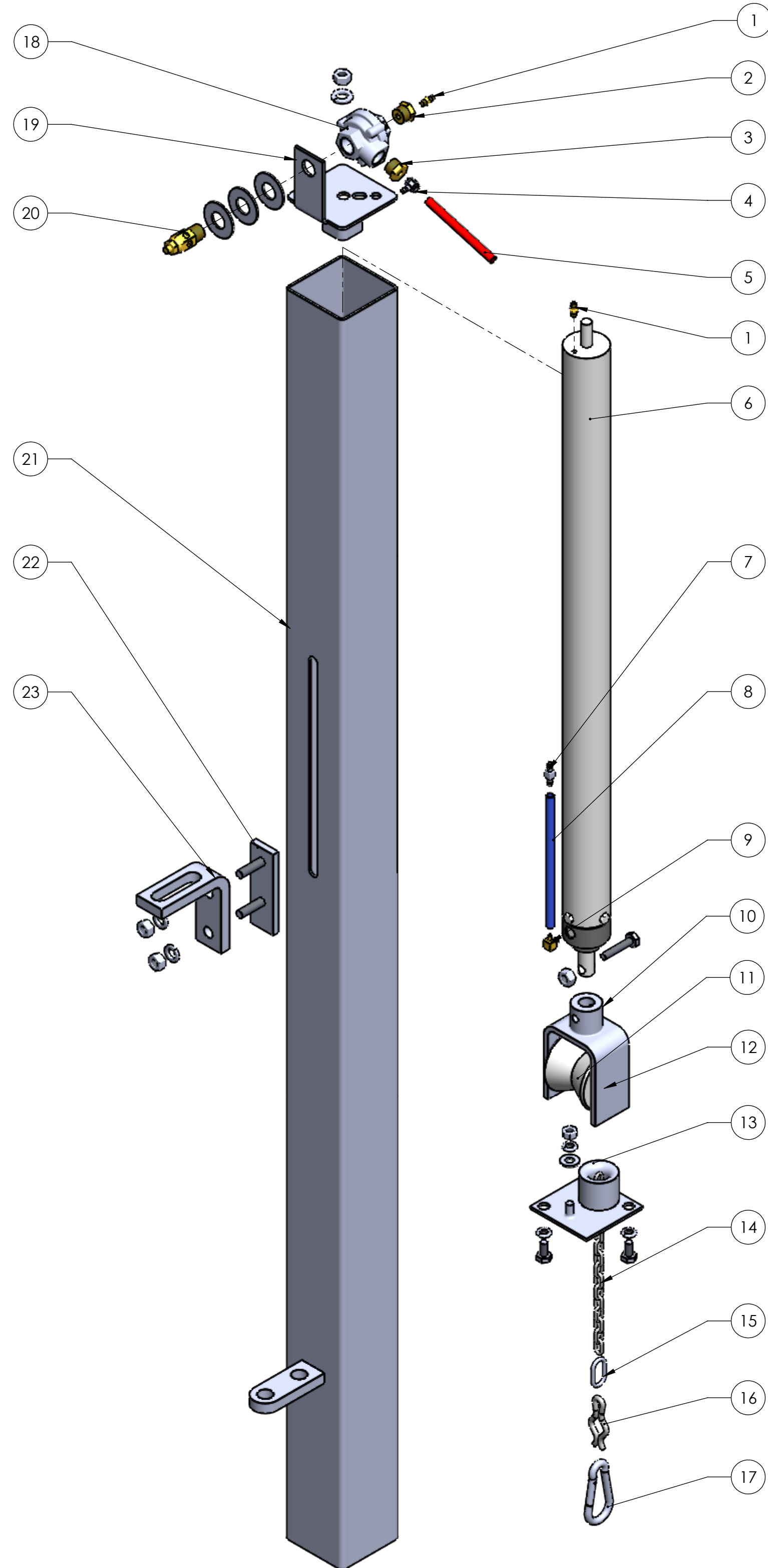


#96089
Chain cylinder (Model E)



ITEM	PART NUMBER	DESCRIPTION	QTY
1	96055	10/32" Thread X 1/8" Barb	2
2	96034	1/8" NPT to 10/32 brass bushing	1
3	96035	1/4" NPT to 10/32 brass bushing	1
4	NS2784	10/32 X 1/8" barb adjustable elbow	1
5	96011	1/8" Red tubing	3"
6	96189	Cylinder	1
7	96129	1/8" hose menders	1
8	96006	1/8" Blue tubing	30"
9	NS2789	1/8" NPT X 1/8" tube elbow	1
10	NS2176	Pulley Clevis	1
11	NS2788	Pulley	1
12	96190	Pulley assembly	1
13	96192	Bottom cap	1
14	96138	Stainless Steel Chain	53"
15	98782	Large split link	2
16	96087	Stainless Breakaway Clip	1
17	96012	Stainless steel snap , small	1
18	96112	EV125 Quick exhaust valve	1
19	96191	Top cap	1
20	96049	1/4" Adjustable Muffer	1
21	96193	Stainless steel square tube assembly	1
22	96194	Mounting bracket plate	1
23	NS2121	L Bracket	1