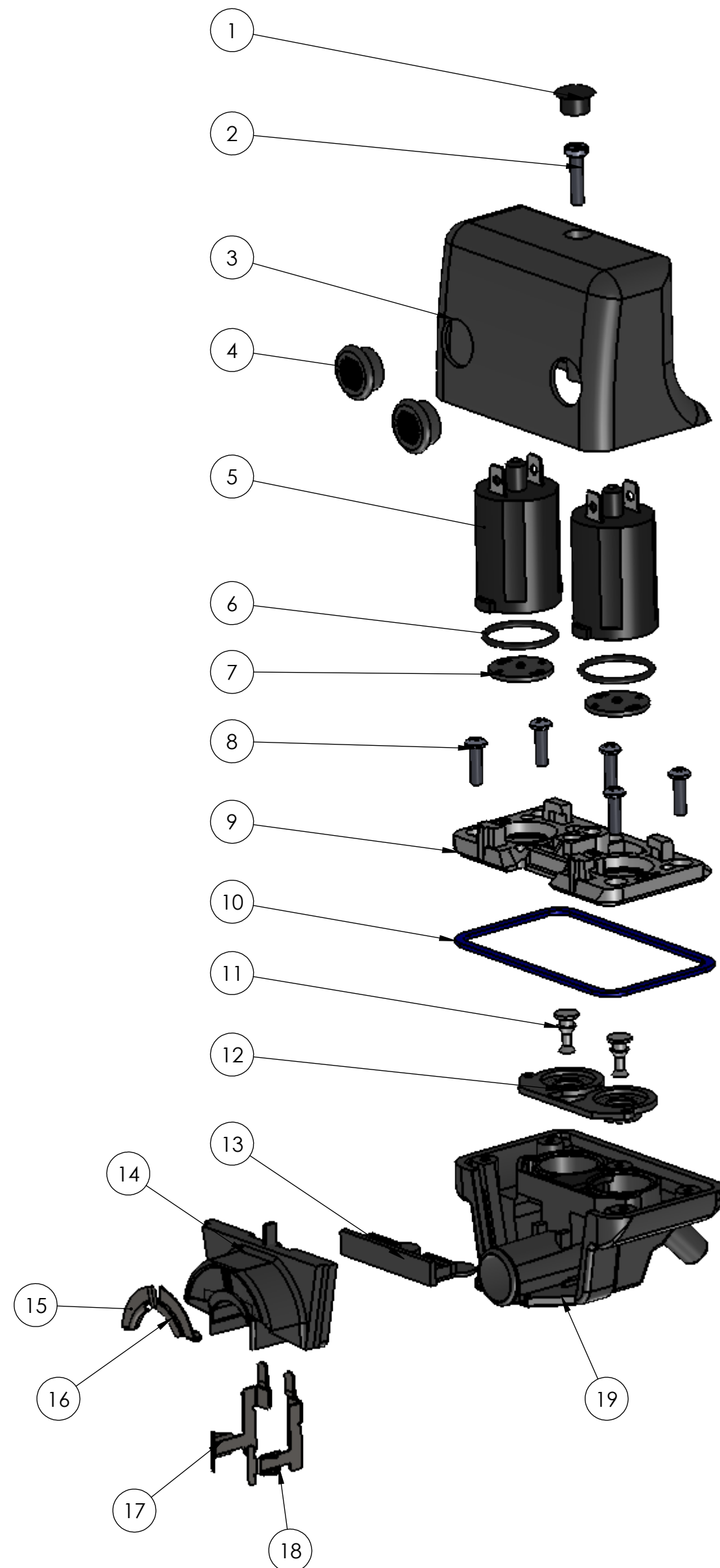


#43361-60/40 200SC replacement pulsator, 12VDC

#43366-65/35 200SC replacement pulsator, 12VDC

#43371-70/30 200SC replacement pulsator, 12VDC



ITEM	PART NUMBER	DESCRIPTION	QTY.
1	98978	Top plug	1
2	98948	Screw for cover	1
3	43360	60/40 Circuit Board with cover	1
	43365	65/35 Circuit Board with cover	1
	43370	70/30 Circuit Board with cover	1
	43359	Cover only for 200SC	
	43364	60/40 circuit board & wiring harness only, Less Cover	
	43369	65/35 circuit board & wiring harness only, Less Cover	
	43374	70/30 circuit board & wiring harness only, Less Cover	
4	98953	Fresh air screen	2
5	43315	12 volt coil	2
6	98974	Coil o-ring	2
7	43317	Magnetic plate	2
8	98971	Screw for white base plate	5
9	43305	White base plate	1
10	98951	Blue gasket	1
11	98941	White axle for diaphragm	2
12	98946	Top diaphragm for New Style Dellatron	1
19	98947	Bottom diaphragm for New Style Dellatron	1
14	43324	Base slide for stallcock mount (Includes:15-18)	1
15	43332	Left hand guard	1
16	43331	Right hand guard	1
17	43328	Left hand contact pin	1
18	43327	Right hand contact pin	1
19	43320	Stallcock base only	1
	43322	Base kit for 200SC Dellatron pulsator	
	98960	Repair kit for new style Dellatron (Includes: 6,8,11-13)	
	98968	2 piece rebuild kit for new style Dellatron (Includes:12-13)	