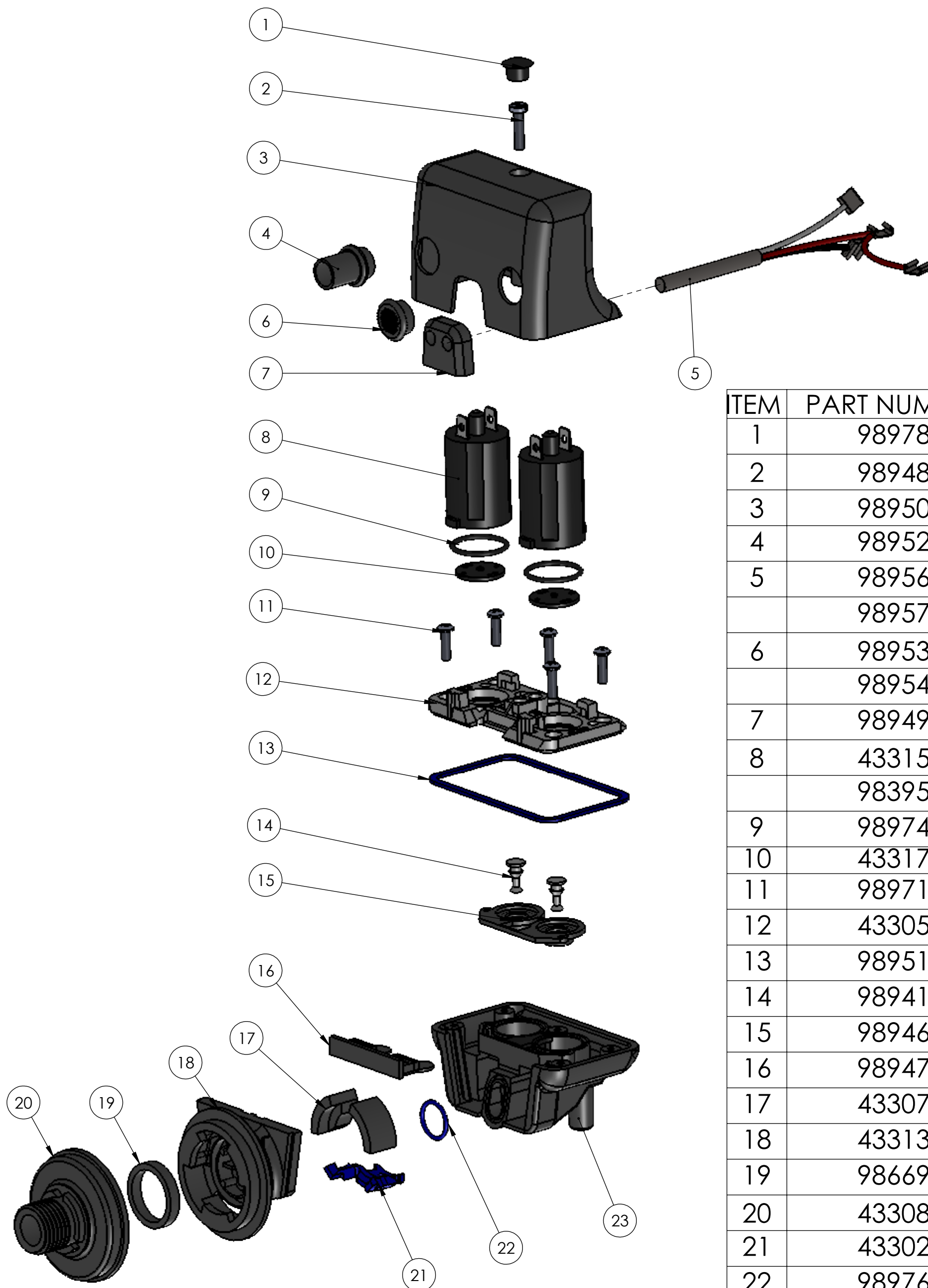


#43350-100B replacement pulsator with 12V coils

#43352-100B replacement pulsator with 24V coils



ITEM	PART NUMBER	DESCRIPTION	QTY.
1	98978	Top plug	1
2	98948	Screw for cover	1
3	98950	Cover Kit (Includes:1-4,6,98954 ,7,13)	1
4	98952	Fresh air nipple	1
5	98956	Wiring harness , 18"	1
	98957	Wiring harness , 5'	
6	98953	Fresh air screen	1
	98954	Blank plug (not pictured)	
7	98949	Grommet for wiring harness	1
8	43315	12 volt coil	2
	98395	Red 24 volt coil (not pictured)	
9	98974	Coil o-ring	2
10	43317	Magnetic plate	2
11	98971	Screw for white base plate	1
12	43305	white base plate	1
13	98951	Blue gasket	1
14	98941	White axle for diaphragm	2
15	98946	Top diaphragm for new style Dellatron	1
16	98947	Bottom diaphragm for new style Dellatron	1
17	43307	Rubber bumper for bayonett bracket	2
18	43313	Bayonet bracket	1
19	98669	Seal for SST2 valve , ECO Lite sensor, bayonett bracket	1
20	43308	Threaded base mount	1
21	43302	Blue base clip	1
22	98976	Base o-ring	1
23	43310	Bayonett base only	1
	43311	Base kit for bay. Dellatron pulsator	
	98960	Repair kit for new style Dellatron (Includes: 9,11,14-16, &22)	
	98968	2 piece rebuild kit for new style Dellatron (Includes:15-16)	