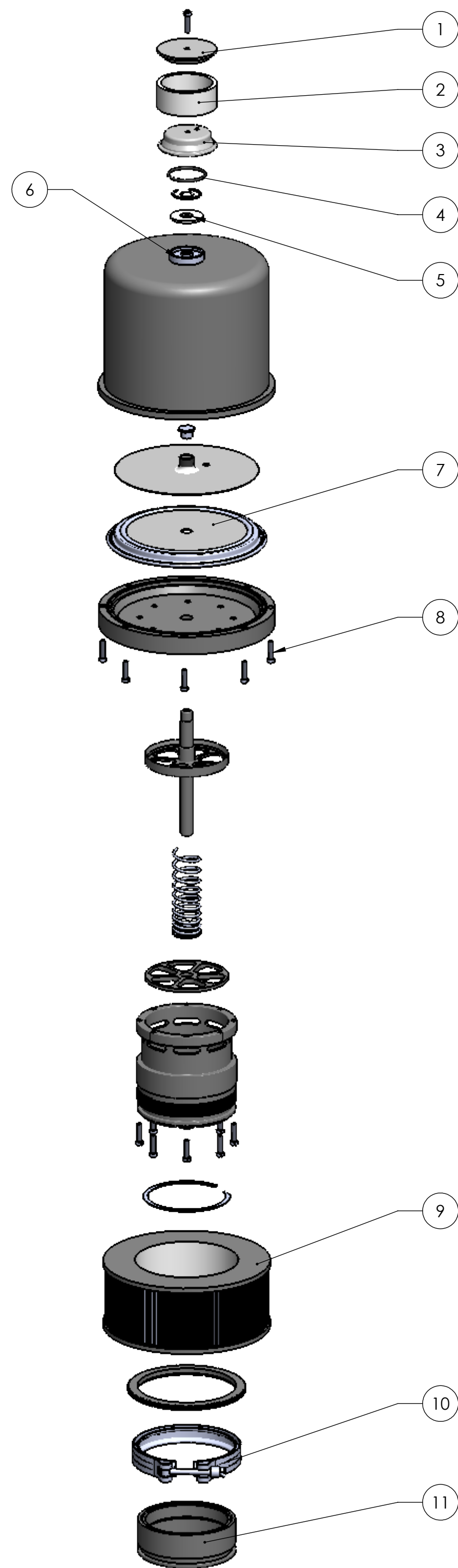


**17894  
Sentinel 350 regulator**

**17898  
Sentinel 500 regulator**



ITEM	PART NUMBER	DESCRIPTION	QTY
1	17840	Filter cartridge holder top	1
2	17852	Replacement top dome filter	1
3	17844	Filter cartridge holder bottom	1
4	17842	Top dome filter oring	1
5	17846	Felt filter	1
6	17885	Aneroid assembly	1
7	17896	Diaphragm	1
8	17861	Housing screw	16
9	17830	Filter	1
10	NS2799	Clamp assembly	1
11	NS3002	Inlet adapter	1