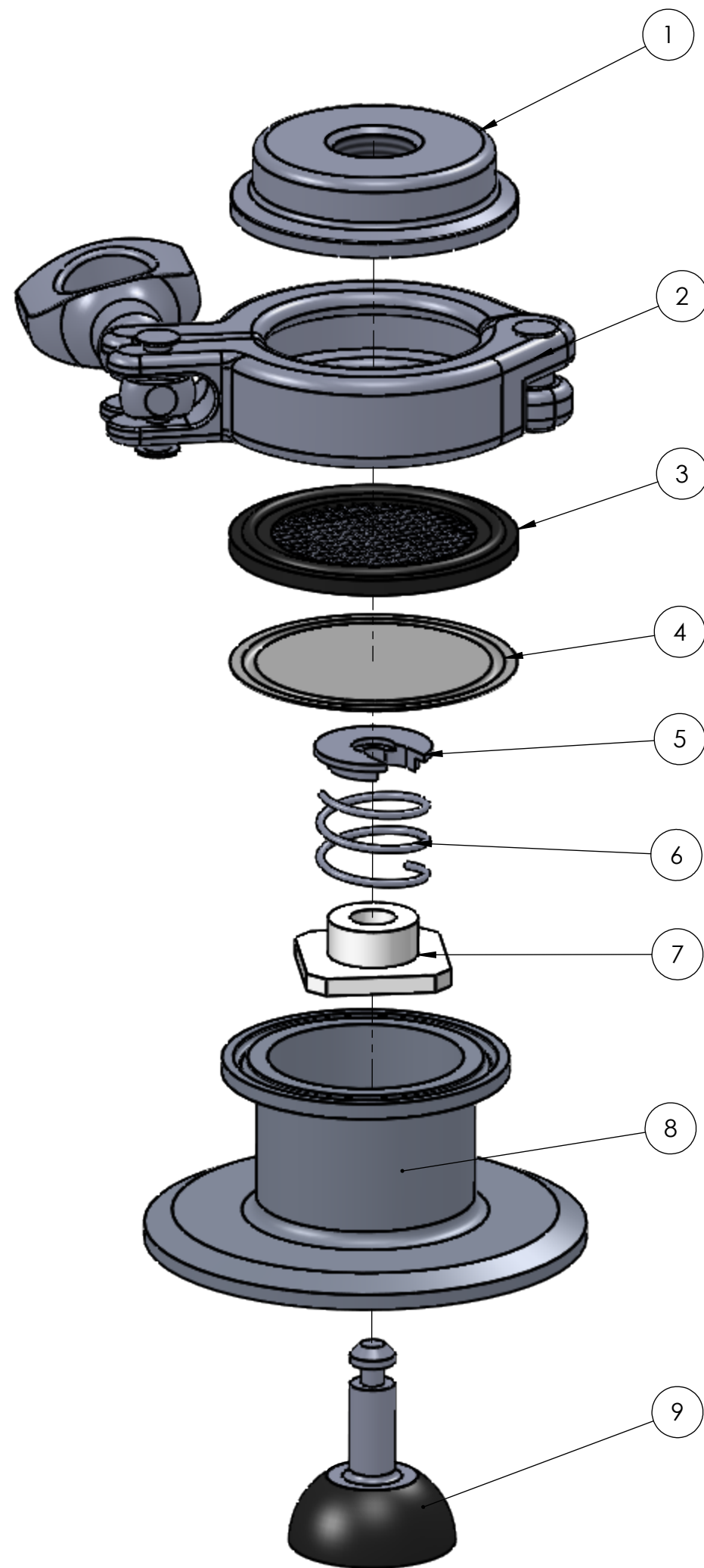


#10672
 2.5" Air blow valve
 for 2" Y check, 3/8" NPT



ITEM	PART NUMBER	DESCRIPTION	QTY
1	10674	Stainless top	1
2	17130	1 1/2" Heavy duty clamp	1
3	10685	Stainless screen	1
4	10687	Filter (Pack of 10)	1
5	10678	Stainless clip for Air Blow Valve Spring	1
6	10677	Spring	1
7	10683	Plastic holder for Air Blow Valve Shutoff	1
8	NS10673	Stainless base	1
9	10681	Rubber shutoff with stem	1